



PRODUCT
WEAPON
CATEGORY
DIFFICULTY LEVEL
TOOLS REQUIRED

PRS
AR15/M16 or AR10/SR25
Installation
Easy
Flat-Head Screw Driver, 1/8" Hex Key

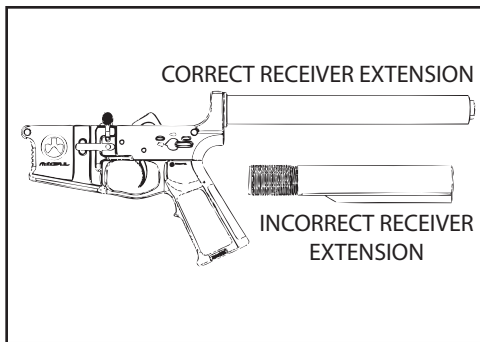
PRS
AR15/AR10

Installation of the PRS Stock for the AR15/M16 or AR10/SR25

The PRS is a precision adjustable stock with versions available to fit either the AR15/M16 or AR10/SR25. Both versions mount to a rifle-length receiver extension (buffer tube) without A2 spacer. All mounting hardware is included. Only a qualified armorer or gunsmith should perform installation of this equipment. If you do not meet these requirements, have a qualified professional perform this installation. **NOTICE:** *Magpul Industries shall not be responsible for injury, death or damage to property resulting from improper installation, misuse, or illegal use of this product.*

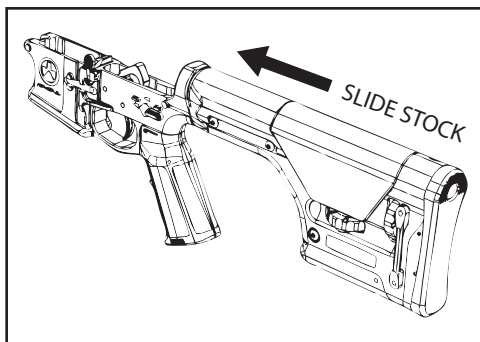


WARNING: Observe safe firearm handling practices at all times. Failure to do so may result in grievous bodily injury or death.



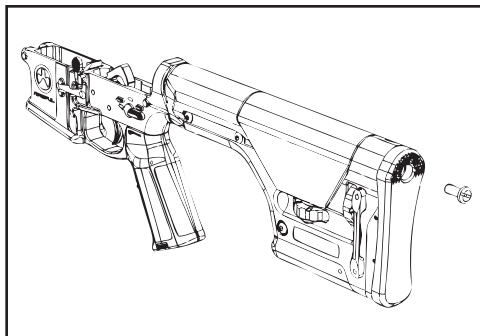
STEP 1 - Stock Removal

WARNING: Before attempting installation, make sure the weapon is unloaded and the safety engaged. Remove the upper receiver from the rifle. Remove the original stock per armorer guidelines, taking care not to lose the takedown pin spring and takedown pin detent. If a rifle-length receiver extension is not currently installed, install one to armorer specifications.



STEP 2 - PRS Mounting

Make sure the takedown pin spring and takedown pin detent are placed properly in the lower receiver. Slide the PRS stock over the receiver extension (buffer tube). Make certain the detent spring does not bind when seating the stock. If the stock does not slide easily into place with hand pressure, loosen both screws on the forward sling mount (footman's loop) using a 1/8" hex key.



STEP 3 - Retaining Screw Installation

Using a flat-blade screwdriver, secure the PRS stock with the provided vented buttplate screw and tighten until hand tight. **DO NOT** use any other screw to mount the PRS as it may affect weapon cycling. Tighten the forward sling mount screws if they were previously loosened.