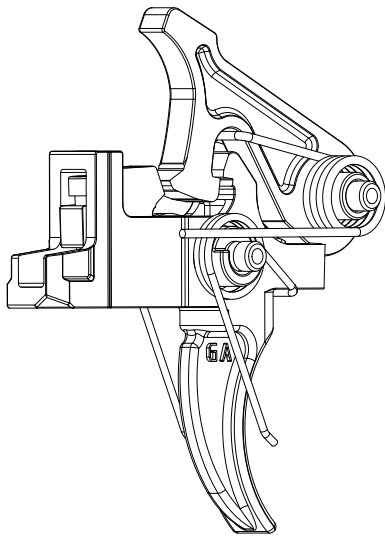


GEISSELE[®]

AUTOMATICS

We Manufacture Confidence[®]



HI SPEED NATIONAL MATCH RIFLE TRIGGER

U.S. Patents: 8,443,536; 8,074,393; 8,069,602; 7,331,136; D661,769

Installation Instructions

READ THIS FIRST

Firearm safety is **YOUR** responsibility. You must memorize and put into practice the 4 Rules of Firearm Safety:

1. **ASSUME EVERY WEAPON IS LOADED.**
2. **KEEP YOUR FINGER OFF THE TRIGGER UNTIL YOU ARE READY TO SHOOT.**
3. **DO NOT LET THE MUZZLE POINT AT ANYTHING YOU ARE NOT WILLING TO DESTROY.**
4. **KNOW YOUR TARGET AND WHAT IS BEYOND.**

There are three Geissele Hi-Speed trigger products: *The Service Trigger*, *The Nation Match Trigger*, and *Designated Marksman Rifle Trigger*. These adjustable triggers are specially designed for competition, hunting, tactical, and military use, where both accuracy and robustness are critical. As an adjustable trigger, the first and second stage weight distribution, as well as, total pull weight, over-travel, and sear engagement are all to be tuned to the shooters preference.

Our Hi Speed Triggers will lighten the trigger pull relative to a standard trigger. This lightened trigger pull will make the weapon easier to discharge. You must recognize and accept this fact before installing this trigger. If you do not want a lighter than standard trigger pull or are not willing to accept responsibility for your weapon's safety, the safety of yourself and the safety of those around you, do not install this trigger.

Geissele Automatics recommends installation by a certified gunsmith only

DISASSEMBLY AND INSPECTION OF LOWER RECEIVER

Unload weapon and make safe. Remove upper receiver assembly, pistol grip, safety detent spring, safety detent follower, safety and existing trigger/hammer assembly. The Geissele Automatics trigger cannot be installed in the receiver unless the safety is removed. Clean lower receiver.

Check to make sure your Geissele Automatics Hi-Speed trigger includes the following components:

See Figure 1: Trigger Assembly

- Trigger/Disconnecter assembly (referred to as "trigger")
- Hammer assembly (referred to as "hammer")
- Ancillaries - See Figure 2: Ancillaries
- Bottle of GA No. 1 Oil
- Vial of GA No. 6 Grease
- Geissele Automatics (GA) Fitting Pin (3 1/4" long)
- Slave Pin (0.640" long)
- Three Allen Keys (0.050", 1/16" and 5/64")

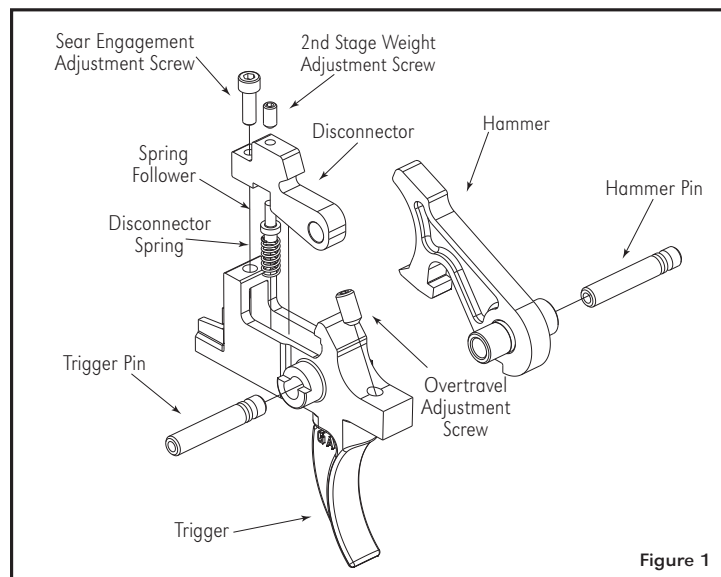


Figure 1

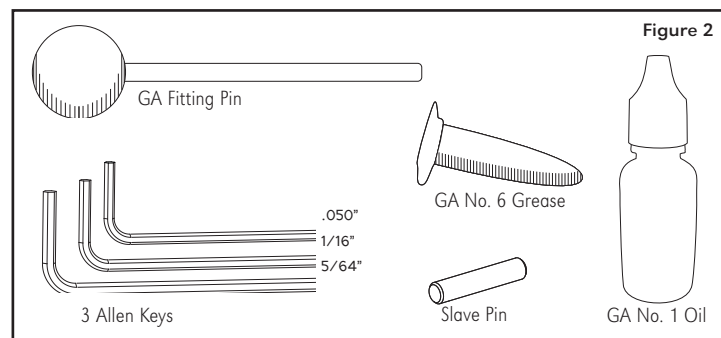


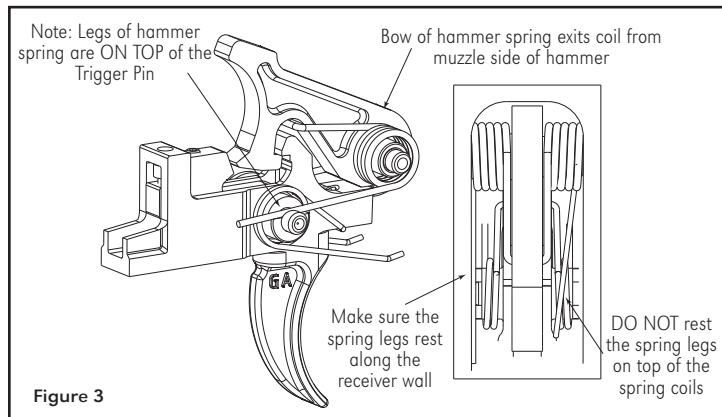
Figure 2

INSTALLATION OF TRIGGER

Lubricate the trigger and disconnecter pin bores with the supplied **GA No. 1 Oil**. Use the supplied Slave Pin to help keep the disconnecter aligned. Insert trigger into lower receiver while making sure the trigger spring legs rest against the bottom of the receiver well and extend forward from the trigger. **See Figure 3: Trigger/Hammer Assembly**

Now slip the supplied 3-1/4" long GA Fitting Pin into the receiver trigger pin hole and through the trigger assembly. Place your finger on the disconnecter and hold the front end down so the pin can fit through the disconnecter bore. Initial fitting of trigger and First Stage weight adjustment should be done with the GA Fitting Pin or standard AR15 pins, not with the trigger and hammer pins. The pins supplied with the

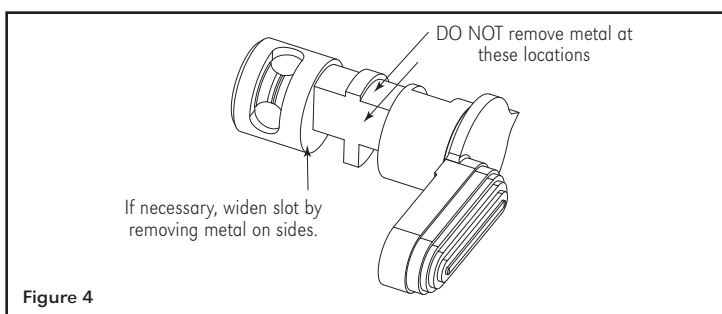
Geissele Automatics trigger are sized for nominal receiver pin hole sizes and may be a slip or light tap fit into the receiver. Using the GA Fitting Pin or standard AR15 pins for initial fitting will make the assembly process easier.



CHECK TRIGGER FIT WITH SAFETY

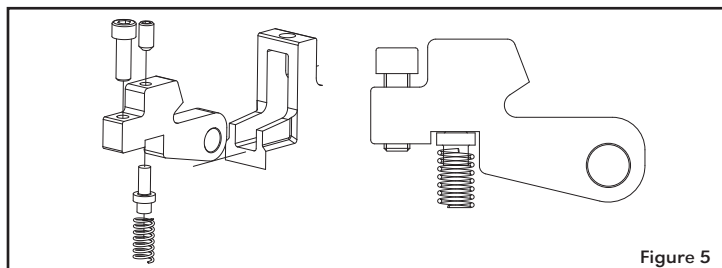
Temporarily install the safety, safety detent follower, safety detent spring and pistol grip. (Note: The safety cannot be inserted into the receiver if the trigger is in the un-cocked position. Since the hammer is not installed yet, just pivot the trigger away from the safety so the safety can slide past the back of the trigger). Pull the trigger and see if the sides of the trigger fit into the cutout in the safety without touching or dragging on the safety. By necessity, the rear part of the GA trigger is wider than the stock trigger to accommodate the adjustment screws and related mechanism. This makes the fit of the trigger into the safety sensitive to the width of the safety slot and the axial position of the safety in the receiver (which is controlled by the detent hole position and that is why the pistol grip needs to be installed during the fit process). If the trigger drags on the safety it is recommended to remove metal from the sides of the safety slot with a Dremel tool equipped with a thin cutoff wheel. Note: Do not remove any metal from the bottom of the safety slot where the trigger stops on the safety.

See Figure 4: Safety



If there is any doubt the trigger is rubbing against the safety remove the disconnecter subassembly and the trigger spring. Re-check trigger fit with the bare trigger component. This will make any rubbing easier to detect.

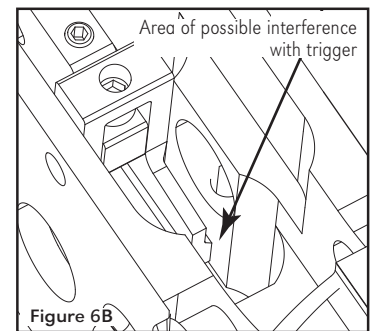
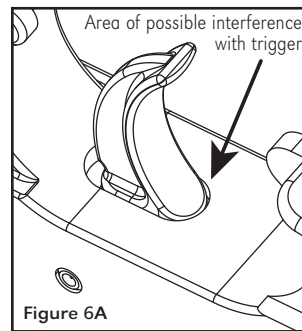
See Figure 5: Disconnecter Sub-Assembly



If you detect a 'rough' First Stage the trigger is rubbing. Recheck fit in safety, check for rubbing where the trigger bow goes through the slot in the bottom of the receiver and check at the

right rear of the trigger where it comes close to the receiver wall. Remove areas of interference on the receiver, not the trigger.

See Figure 6: Areas of Possible Interference



WEIGHT ADJUSTMENT OF FIRST STAGE

The next step is to pre-measure the trigger weight with a good quality trigger pull gage. Without the hammer installed you will need to add a little under 1/4 lb. to the measured trigger pull to account for sear friction. For instance, if the trigger pull is measured at 3.8 lb. (without the hammer) add 0.2 lb. to this value which will be an estimated 4.0 lb. First Stage weight once the hammer is installed.

For the Service Rifle trigger, Geissele Automatics has provided a "5-Coil" trigger spring that will allow for about a 4 lb. First Stage without modification. The Match Rifle trigger spring will produce about a 2.2 lb. First Stage without modification. The match rifle First Stage minimum weight is limited by the ability of the trigger to return through the First Stage after pulling just to the Second Stage then releasing. However, going below 1.5 lb. is not recommended. The DMR trigger uses a trigger spring that has a weight in between the Service and Match springs. For tactical shooting with the Geissele Automatics DMR, it is recommended to keep the First Stage at 3.0 lb. and set the Second Stage to 1.25 lb. First Stage weight on the three different types of triggers is adjusted by bending the legs of the trigger spring either up or down with a pair of pliers. The legs should be bent at a point just before the legs enter the coils that fit around the trigger pivot bosses.

After the First Stage is adjusted to the shooters liking, push the GA Fitting Pin out by tapping a standard AR15 trigger pin into place so you can use the GA Fitting Pin to install the hammer. As the GA Fitting Pin slides out, it will keep the trigger and disconnecter aligned properly. The standard AR15 pin measures about 0.154", while the standard GA Fitting Pin is precisely ground to 0.1558" diameter +/- 0.0001".

After the standard pin is slid into the trigger, the hammer will be installed using the GA Fitting Pin in a manner similar to the trigger. Make sure to use the supplied hammer spring and not a worn or overly relaxed spring. Also make sure the hammer bore is lubricated with GA No. 1 Oil.

NOTE: The hammer spring legs rest on top of the trigger pin, not on the bottom of the receiver well.

See Figure 3: Trigger/Hammer Assembly

At this time place a small dab of the supplied grease onto the sear surfaces and the top of the hammer tail where the disconnecter rides. GA No. 6 Grease is a very tenacious, slippery grease with superior load bearing capacity. Although the GA trigger can be used dry, lubrication during break in will help to polish the sear surfaces.

SPECIAL INSTRUCTIONS FOR THE SERVICE RIFLE

In CMP sanctioned competitions such as National Trophy rifle matches and EIC matches, there is a minimum trigger pull weight of 4.5 lb. When setting up the pull weight on the Service rifle the gunsmith must realize that it is vitally important that the shooter does not experience any issues on Match Day when the weight of his weapon trigger is checked before the start of the match. Although the Second Stage weight is easily increased on the Geissele Automatics Hi-Speed trigger doing this before a match may mentally confuse the shooter as he has been practicing for the match

with a lighter pull weight and has become used to the lighter trigger pull. In order to consistently meet the 4.5 lb. minimum weight requirement the trigger must be set up slightly in excess of 4.5 lb. Generally, a weight of 4.8 – 5.1 lb. will always pick up the trigger weight regardless of individual inspector techniques. This will also allow some leeway as the trigger pull weight will decrease slightly as the sear surfaces polish in. The recommended procedure is to set the First Stage as close to 4 lb. as possible using a pull weight gage (not trigger weight). Then dial in a 1 lb. Second Stage for a total pull weight of 5 lb. The GA Hi-Speed trigger is designed to place most of the pull weight on the First Stage so that the Second Stage break does not disturb aim. Because of this weight differential and the 4.5 lb. minimum weight requirement a shooter cannot control a Second Stage that is under 0.8 lb. The shooter might feel that he can control a very light Second Stage break during dryfire but during a match he will experience inadvertent and unexpected pull thru of the Second Stage. Keep the Second Stage at 1.0 - 1.2 lb. to start; if the shooter feels like he wants a slightly lighter Second Stage it is a simple matter to take the supplied 0.050" Allen Key and lower the Second Stage weight. As long as the First Stage has been set to 4.0 lb. the total weight will not decrease below the 4.5 lb. minimum.

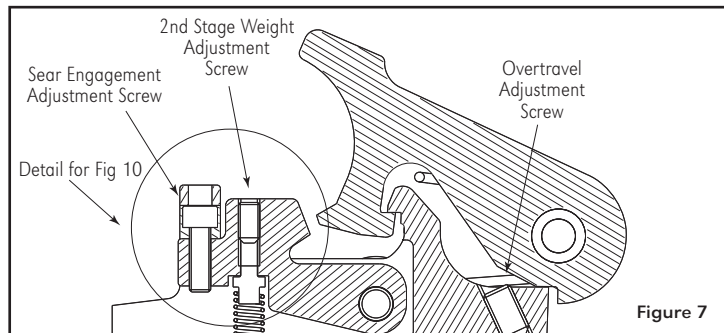
SEAR ADJUSTMENT

Every GA Hi-Speed trigger is factory pre-set for sear engagement in a precision fixture designed to simulate an AR15 receiver. This does not mean that the trigger adjustment procedure can be skipped. Factory pre-setting the sear is only intended to assist the gunsmith by making the adjustment process easier. The advantage of an adjustable trigger is that small receiver dimensional variations from nominal can be accounted for so that each trigger can be individually tuned to each unique receiver.

During the adjustment procedure you will notice the adjustment screws are difficult to turn. The screw threads are coated with a polymer compound which produces a prevailing torque that will keep the adjustment screws from loosening.

The first step in the adjustment procedure is to locate the Second Stage Weight Adjustment Screw.

See Figure 7: Trigger Assembly



This is the set screw that is located in the top of the disconnecter between the trigger tower and sear hooks. Using the smallest Allen Key provided with the Ancillary package (0.050") ensure that the screw is about 1/2-3/4 of a turn below flush (the screw is already set this way from the factory). Doing this will put tension on the disconnecter spring and is necessary for correct sear adjustment. Insufficient spring tension on the disconnecter will not push up the disconnecter properly so that the disconnecter engages the hammer tail with consistency.

Now cock the hammer and locate the Sear Engagement Adjustment Screw.

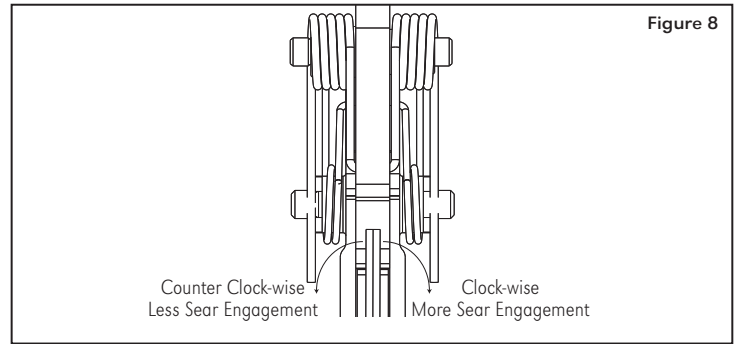
See Figure 7: Trigger Assembly

Pull the trigger while controlling the hammer and check for the presence of a Second Stage. Since the GA trigger is factory pre-set for sear engagement you should feel a distinct stop as the end of the hammer tail contacts the disconnecter. Additional pressure to the trigger will cause the disconnecter to rotate slightly thereby letting the primary sear edges disengage. When the primary sear edges disengage the

hammer will fall.

Using the supplied 5/64" Allen Key (the largest Allen Key supplied with the trigger), reach through the hole in the trigger tower and rotate the sear adjustment screw counterclockwise (as in loosening the screw) in 1/8 turn increments while alternately cocking the hammer and pulling the trigger.

*See Figure 8: Sear Adjustment**



Do this until the Second Stage is lost. Do not let the hammer strike the lower receiver during this process. Keep your hand on top of the hammer or place a wadded up shop rag in-between the hammer and lower receiver wall to cushion the blow. Be careful, the full torque hammer spring will send the hammer forward with enough force to seriously bruise or injure your hand.

Now rotate the screw in the other direction (clock-wise) while alternately cocking the hammer, pulling the trigger and making a clock-wise adjustment to the sear screw until the Second Stage is regained. The amount the screw should be turned clock-wise during this process is very small, perhaps 1/32 of a turn (about 10 degrees).

When the Second Stage is regained, the sear engagement adjustment screw is then additionally turned clockwise a little more than 1/4 turn (about 110 degrees). This is the initial sear setting point.

It is important when performing sear adjustment that the adjustment must always be backed off counter-clockwise past the point where the Second Stage is lost and then turned clockwise to regain the Second Stage. Don't try to go counterclockwise until the Second Stage is barely lost and then try to adjust in the 1/4 turn clockwise. If this is done there will be insufficient sear engagement.

A properly adjusted trigger should pivot smoothly through the First Stage and come to a solid stop at the Second Stage. If the trigger is "notchy" or feels like it is falling into a detent just as it comes up to the Second Stage, there is not enough sear engagement. Turn the sear adjustment screw clockwise in 5-10 degree increments until any notchy feeling is eliminated.

On the other hand, if any creep is felt in the Second Stage, the sear adjustment screw can be turned in 5-10 degree increments counter-clockwise until the creep is eliminated. Usually, no more than one small nudge backward from the initial sear setting point is sufficient.

It is important to recognize that sear adjustment of the GA trigger is not a game in trying to adjust in as little sear engagement as possible. Insufficient sear engagement is the biggest cause of inconsistent trigger operation, pull through of the Second Stage and wear of the sear ledges.

WEIGHT ADJUSTMENT OF SECOND STAGE

After the sear is adjusted properly, the Second Stage weight adjustment screw is then turned with a .050" Allen Key (the smallest Allen Key supplied with the trigger) until the Second Stage is at the desired weight. The screw is turned clockwise to increase the Second Stage pull weight and counterclockwise to decrease weight. Minimum weight is found when the top of the set screw is about 1/2 turn above the disconnecter top surface. Maximum Second Stage weight is about two full turns in.

Turning the Second Stage weight adjustment screw farther

than 2 turns in will cause the disconnecter spring to coil bind during disconnecter operation. To check for coil bind, temporarily install the safety, pull the trigger back (and hold the trigger back) and re-cock the hammer while watching snap over of the hammer tail on the disconnecter. The disconnecter should snap over the hammer tail smoothly. If the spring is binding, the disconnecter will become stiff toward the end of its rotation causing the trigger to try and rotate forward against the shooters finger. If this occurs, the Second Stage weight adjustment screw should be backed off until the disconnecter spring does not bind.

OVERTRAVEL ADJUSTMENT

Overtravel may be adjusted by means of the screw towards the front of the trigger. It is recommended to retain the maximum amount of overtravel possible. This will help prevent any movement of the rifle after the shot is fired from the moving trigger coming to a hard stop before the projectile has exited the barrel. The trade off with a long overtravel is a longer disconnecter reset when releasing the trigger. This is only a concern during rapid fire. If minimum overtravel is desired, pull the trigger fully back and partially rotate the hammer down while watching the clearance between the hammer sear edge and the trigger sear edge. Turn the overtravel adjustment screw clock-wise with a 1/16" Allen Key until the trigger is about 0.010" away from the hammer spur. This is the minimum adjustment position.

FINALIZE ADJUSTMENTS

Now cycle the trigger and hammer about 50 times (remember the lubrication of the sear surfaces). Re-check pull weight and make any necessary adjustments to the First and Second Stages by dismantling the trigger and re-bending the trigger spring or by adjusting the Second Stage weight screw. During this process of verifying the adjustments you can temporarily install the upper receiver and dry fire the weapon with the GA Fitting Pin in the hammer and the standard AR15 pin in the trigger. Do not fire the weapon with the GA Fitting Pin installed.

Once trigger adjustments are completed, replace the GA Fitting Pin and the standard AR15 trigger pin with the larger Geissele Automatics pins. Remove the hammer before installing the GA Fitting Pin into the trigger as the hammer spring legs hold and capture the trigger pin. The fitting pin can then be used again to re-install the hammer. Lube the trigger pins, trigger pin bore and disconnecter with GA No. 1 Oil before installing the pins. Just tap the pins into the holes so that the Standard AR15 Pin or GA Fitting Pin is pushed out the other side of the receiver. The hammer pin must be installed with the grooves on the left side of the weapon (the side with the bolt release). See Figure 9: Hammer Pin*

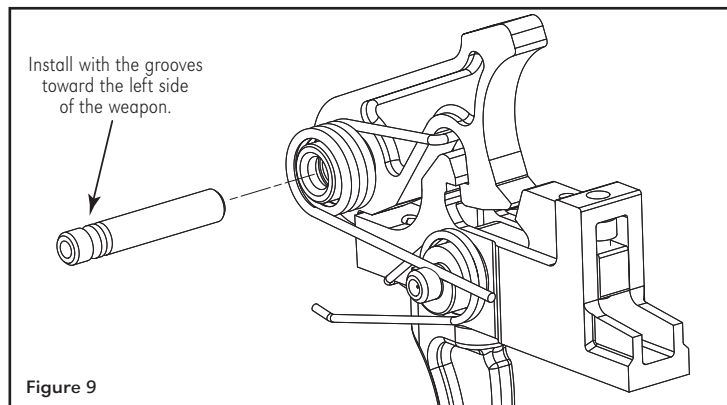


Figure 9

This will allow the internal circlip of the hammer pivot to capture the pin and keep the hammer pin in place.

When the trigger is fully assembled with the new Geissele Automatics pins, install the safety and pistol grip. Now readjust sear engagement per the above procedure to allow for any small differences in trigger component location due to the trigger and hammer pin replacement.

TROUBLESHOOTING

If for some reason the gunsmith has not read or followed these instructions closely, it may be helpful to start from the beginning. To start fresh, turn the Second Stage weight screw 1/2 turn in from flush. Then turn the sear adjustment screw slightly below the top surface of the disconnecter. Turn the overtravel screw to the top of its hole. See Figure 10: Approximate Factory Settings Following the instructions for sear engagement.

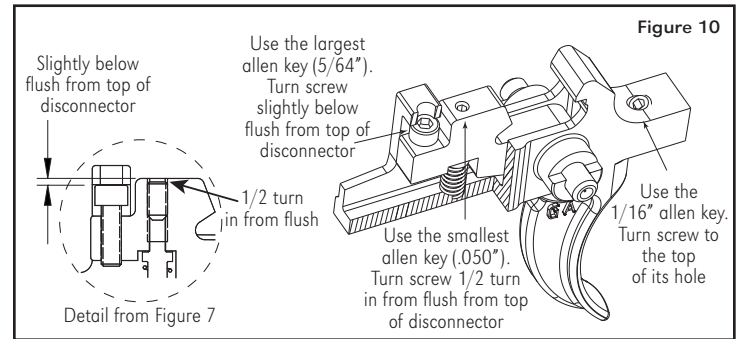


Figure 10

SAFETY AND FUNCTION CHECK

Assemble the upper receiver assembly to the lower receiver and check safety operation. With the hammer cocked and the safety lever in the "SAFE" position, pulling the trigger hard should not allow the hammer to fall. Check and make sure there is a gap of about 0.015" between the hammer tail and face of disconnecter when the trigger is pulled with the safety on. If the gap is less than 0.015" do not fire the weapon. Contact Geissele Automatics for a solution.

Now check the ability of the bolt carrier to re-cock the hammer. Pull the trigger and keep the trigger pressed back. Cycle the operating handle and let the bolt carrier snap forward. Release the trigger. The bolt carrier should have re-cocked the hammer and the hammer should not have followed the bolt carrier forward.

PERIODIC LUBRICATION, CLEANING AND MAINTENANCE

Keep the sear surface well lubricated for the first 200-300 rounds. It is recommended to always keep a small dab of fresh GA No. 6 Grease on the sear surfaces, especially on the match rifle trigger. However, after the initial break in period, it is permissible to operate the trigger without lubricant. This will be helpful in dusty environments.

Every 500 rounds place a drop of GA No. 1 Oil on the sides of the disconnecter where the pin slides through and on the very ends of the hammer pivot next to the receiver walls.

When the lower receiver and receiver well become very dirty (such as by firing with a suppressor) it is not always necessary to remove the trigger group for cleaning. Spray down the trigger group with an electrical contact cleaner to remove residual oil and dirt. Next, use compressed air to blow off the trigger group and then flush liberally with a light lubricating oil such as CLP or CRC 3-36. Blow off excess oil with compressed air. Now apply GA No. 1 Oil and grease as above.

The trigger spring will last the life of the trigger and will not lose weight over time. The disconnecter spring should be replaced every 50,000 rounds. The hammer spring should be replaced every 10,000 rounds as this spring will break between 12-25,000 cycles. The original design fatigue life of the M16/AR15 hammer spring appears to be 12,000 cycles.

Thank You For Your Purchase.
Contact Geissele Automatics with any questions.

GEISSELE AUTOMATICS • 800 NORTH WALES RD • NORTH WALES, PA 19454

TEL: 610-272-2060 | FAX: 610-272-2069

E-MAIL: INFO@GEISSELE.COM | WEB: WWW.GEISSELE.COM

PATENTS: WWW.GEISSELE.COM/PATENTS

GEISSELE HI SPEED TRIGGER INSTRUCTIONS VERSION 11 - 04/24/15