

operations manual

WC-10 | WC-15

WILSON COMBAT[®]
TACTICAL RIFLE SYSTEM

Instruction Manual for WC-10/WC-15

Technical Questions
(800) 955-4856

WILSON COMBAT®
2452 CR 719
BERRYVILLE, AR 72616-4573
Order Toll Free: 1-800-955-4856
info@wilsoncombat.com

Copyright© 2017 Wilson's Gun Shop, Inc.

WARNING:

BEFORE USING THIS FIREARM, READ, UNDERSTAND AND FOLLOW THESE INSTRUCTIONS. THIS FIREARM SHOULD BE CONSIDERED LOADED AND READY TO FIRE UNTIL YOU REMOVE THE MAGAZINE AND VERIFY THAT THE CHAMBER IS UNLOADED.

If there is anything you do not understand, get assistance from a qualified gunsmith in the safe handling and maintenance of firearms.

This instruction manual should always accompany this firearm and be transferred with it upon change of ownership, or when the firearm is loaned or presented to another person.

Nothing can ever take the place of proper instruction and training. We recommend beginning with an NRA training course near you. For more information, go to <https://firearmtraining.nra.org>

State-By-State Warnings:

Some states require by law that specified **warning** notices in “larger-than-normal” type be conspicuously included by the manufacturer, distributor, or retailer with firearms sold in that state. Since our products may be sold in those states we include the following:

California:

WARNING

“Children are attracted to and can operate firearms that can cause severe injuries or death. Prevent child access by always keeping guns locked away and unloaded when not in use. If you keep a loaded firearm where a child obtains and improperly uses it, you may be fined or sent to prison.”

ADVERTENCIA

“Los niños se sienten atraídos y se puede operar las armas de fuego que pueden causar lesiones graves o la muerte. Evitar el acceso niño siempre manteniendo las armas bajo llave y descargadas cuando no esté en uso. Si usted mantiene un arma de fuego cargada en que un niño obtiene y utiliza inadecuadamente, usted puede recibir una multa de enviado a la cárcel.”

Connecticut:

“UNLAWFUL STORAGE OF A LOADED FIREARM MAY RESULT IN IMPRISONMENT OR FINE”

Florida:

“IT IS UNLAWFUL, AND PUNISHABLE BY IMPRISONMENT AND FINE, FOR ANY ADULT TO STORE OR LEAVE A FIREARM IN ANY PLACE WITHIN THE REACH OR EASY ACCESS OF A MINOR UNDER 18 YEARS OF AGE OR TO KNOWINGLY SELL OR OTHERWISE TRANSFER OWNERSHIP OR POSSESSION OF A FIREARM TO A MINOR OR A PERSON OF UNSOUND MIND”

Maine:

“ENDANGERING THE WELFARE OF A CHILD IS A CRIME. IF YOU LEAVE A FIREARM AND AMMUNITION WITHIN EASY ACCESS OF A CHILD, YOU MAY BE SUBJECT TO FINE, IMPRISONMENT OR BOTH. KEEP FIREARMS AND AMMUNITION SEPARATE. KEEP FIREARMS AND AMMUNITION LOCKED UP. USE TRIGGER LOCKS.”

Maryland:

“**WARNING:** Children can operate firearms which may cause death or serious injury. It is a crime to store or leave a loaded firearm in any location where an individual knew or should have known that an unsupervised minor would gain access to the firearm. Store your firearm responsibly!”

Massachusetts:

“**WARNING** FROM THE MASSACHUSETTS ATTORNEY GENERAL: This handgun is not equipped with a device that fully blocks use by unauthorized users. More than 200,000 firearms like this are stolen from their owners every year in the United States. In addition, there are more than a thousand suicides each year by younger children and teenagers who get access to firearms. Hundreds more die from accidental discharge. It is likely that many more children sustain serious wounds, or inflict such wounds accidentally on others. In order to limit the chance of such misuse, it is imperative that you keep this weapon locked in a secure place and take steps necessary to limit the possibility of theft or accident. Failure to take reasonable preventive steps may result in innocent lives being lost, and in some circumstances may result in your liability for these deaths.”

“IT IS UNLAWFUL TO STORE OR KEEP A FIREARM, RIFLE, SHOTGUN, OR MACHINE GUN, IN ANY PLACE UNLESS THAT WEAPON IS EQUIPPED WITH A TAMPER-RESISTANT SAFETY DEVICE OR IS STORED OR KEPT IN A SECURELY LOCKED CONTAINER.”

New Jersey:

“IT IS A CRIMINAL OFFENSE TO LEAVE A LOADED FIREARM WITHIN EASY ACCESS OF A MINOR.”

New York City, NY:

“THE USE OF A LOCKING DEVICE OR SAFETY LOCK IS ONLY ONE ASPECT OF RESPONSIBLE FIREARMS STORAGE. FOR INCREASED SAFETY, FIREARMS SHOULD BE STORED UNLOADED AND LOCKED IN A LOCATION THAT IS BOTH SEPARATE FROM THEIR AMMUNITION AND INACCESSIBLE TO CHILDREN AND OTHER UNAUTHORIZED PERSONS.”

North Carolina:

“IT IS UNLAWFUL TO STORE OR LEAVE A FIREARM THAT CAN BE DISCHARGED IN A MANNER THAT A REASONABLE PERSON SHOULD KNOW IS ACCESSIBLE TO A MINOR.”

Texas:

“IT IS UNLAWFUL TO STORE, TRANSPORT, OR ABANDON AN UNSECURED FIREARM IN A PLACE WHERE CHILDREN ARE LIKELY TO BE AND CAN OBTAIN ACCESS TO THE FIREARM.”

Wisconsin:

“IF YOU LEAVE A LOADED FIREARM WITHIN THE REACH OR EASY ACCESS OF A CHILD YOU MAY BE FINED OR IMPRISONED OR BOTH IF THE CHILD IMPROPERLY DISCHARGES, POSSESSES, OR EXHIBITS THE FIREARM.”

As a firearm owner, it is your job to know the local, state and federal laws regarding firearms ownership. The **warnings** listed in this manual are not inclusive of all states and is subject to change without notice. Please check with your local authorities for current laws and regulations in your locality.

Visit the NRA website (www.nra.org) or the BATFE website (www.atf.gov) for more information.

WARNING: Keep the firearm out of the reach of children or other unauthorized persons. Store the key to the cable lock in a safe place, away from unauthorized persons and separately from the firearm.

WARNING: IF THIS FIREARM IS CARELESSLY OR IMPROPERLY HANDLED, UNINTENTIONAL DISCHARGE COULD RESULT AND COULD CAUSE INJURY, DEATH, AND/OR DAMAGE TO PROPERTY.

GENERAL FIREARM SAFETY CAUTIONS:

1. Always keep your rifle pointed in a safe direction. Treat ALL firearms as if they are loaded!
2. Keep your finger off the trigger until you're ready to shoot.
3. Keep your rifle unloaded until you are ready to use it.
4. Be sure your rifle is in good working condition.
5. Know how to safely use this rifle BEFORE use.
6. Use only the correct, quality ammunition in this rifle.
7. Know your target AND what is beyond it.
8. ALWAYS wear eye and ear protection.
9. NEVER use alcohol or drugs before or during shooting.
10. When not in use, store this rifle where it is NOT accessible to unauthorized persons.

HELP KEEP OUR SHOOTING SPORTS SAFE:

To quote the founder of Practical Pistolcraft, Jeff Cooper -

- Every gun is ALWAYS loaded!
- NEVER let the muzzle cover anything which you are not willing to destroy!
- Keep your finger OFF the trigger till your sights are ON THE TARGET!
- ALWAYS be sure of your target!

If these simple rules are ALWAYS followed this rifle will provide you with many years of enjoyable use.

WARNING: LEAD EXPOSURE

Discharging firearms in a poorly ventilated area, or handling or cleaning firearms and ammunition can result in an exposure to lead and other harmful substances known in the state of California to cause birth defects, reproductive harm, and other serious physical injury. Adequate ventilation must be maintained at all times when handling, cleaning or firing firearms. Wash your hands thoroughly after exposure. The use of gloves, glasses and other protective gear during firearm cleaning is recommended.

Welcome To Wilson Combat®—Our Promise To You

Since 1977, we strive to provide our valued customers with superior firearms, parts, and accessories. Our policy of 100% complete customer satisfaction is the cornerstone of doing business with Wilson Combat®. We want every experience you have in dealing with us to be pleasant and rewarding and we take pride in how we deliver our products and services.

If for any reason you are unhappy with a Wilson Combat® product, Wilson Combat® service, or how your issue has been addressed by an employee of Wilson Combat®, feel free to contact our Customer Service Director at: **info@wilsoncombat.com**.

In the event that you need to return or exchange a product, please follow the instructions on our Merchandise Return Form found on our website, email us at **info@wilsoncombat.com**, or call us at **(800) 955-4856**.

For firearms service repair work, please contact info@wilsoncombat.com and include **“Attn: Service Repairs” in the subject**.

For answers to frequently asked questions, a complete list of available firearms, parts, accessories, services and upgrades, or to find a Wilson Combat® dealer near you, please visit our website at <https://www.wilsoncombat.com>

For helpful video instructions for many of our products, please visit our YouTube® channel at <https://www.youtube.com/user/gowilsoncombat>

DISCLAIMERS:

Wilson's Gun Shop, Inc. expressly disclaims liability for incidental or consequential damages. As provided for below, we do not offer any written or implied warranty on our products and expressly disclaim any implied warranty of merchantability or fitness for any particular purpose.

As a condition of sale, any controversy or claim arising out of or relating to this sale shall be settled by arbitration in accordance with the Commercial Arbitration Rules of the American Arbitration Association, and judgment upon the award rendered by the arbitrator(s) may be entered in any court having jurisdiction thereof. On any claim related to goods or services sold by Wilson's Gun Shop, Inc. jurisdiction for the arbitration shall be exclusively in Arkansas, regardless of where the claim may arise. No claim shall be actionable unless commenced within one year from date of sale.

No parts sold by us are intended for installation except by a trained gunsmith, and parts and firearms sold by us are only intended for factory specification standard velocity ammunition. Any verbal representations made by us, related to installation, should be confirmed with your local gunsmith to assure safe operation in your particular firearm.

NO WRITTEN WARRANTY: Due to the complexities of complying with the Federal warranty law, Wilson's Gun Shop, Inc. does not offer a written warranty. We continue to stand behind our products and services, and to care for our customers, but we cannot make guarantees or warranties of any kind. This general statement of policies and disclaimers is effective July 1, 1985, and no prior statements or promises shall be of any effect for transactions after July 1, 1985.

BEFORE FIRING ANY FIREARM:

- Be sure that the barrel is free from obstructions. Firing a firearm with an obstruction in the barrel could result in serious injury or death.
- Confirm that your ammunition and the caliber of your firearm are compatible.
- In case of a hang fire (an unexpected delay between the action of pulling the trigger and the ignition of cartridge propellant), keep your firearm pointed in a safe direction for at least 30 seconds. If after 30 seconds the cartridge has not fired, remove the magazine, clear the chamber, and examine the cartridge that did not fire. If there is a no indentation on the primer, a very light strike, or off center strike on the primer, please call Wilson Combat support. Dispose of unfired ammunition in accordance with the manufacturer's guidelines. If you suspect there is a bullet lodged in the barrel, disassemble the unloaded firearm and remove the barrel to confirm. If so, contact Wilson Combat.

WARNING: DO NOT FIRE ANY FIREARM IF A BULLET IS LODGED IN THE BARREL. DOING SO CREATES EXTREME PRESSURE AND COULD RESULT IN SERIOUS INJURY OR DEATH.

- Never pull the trigger if the bolt has not fully closed. This could induce an out of battery firing which can cause an escape of pressure toward the shooter and cause serious injury.

CLEARING MALFUNCTIONS

- All semi-automatic firearms may experience a malfunction from time to time. Most malfunctions are caused by improper maintenance, out of spec ammunition, improperly maintained magazines, insufficient grip, or debris that has been introduced to the internal parts of the firearm. To minimize the frequency of malfunctions, your firearm should be maintained in accordance with this instruction manual.
- To clear a malfunction, always keep the firearm pointed in a safe direction. Keep your finger outside of the trigger guard at all times, take note of the type of malfunction so that remedial maintenance or repair can be performed if necessary. Retract the action (slide or bolt) to its fully rearward position and lock it open. Remove the magazine and clear the malfunction using your fingers or a small wooden tool. (Metal tools should not be introduced into the action of a firearm as they can cause damage or detonate the primer of the cartridge.)
- If you are unable to clear the malfunction, contact Wilson Combat® or your local gunsmith for further instructions.

TACTICAL RIFLE SYSTEM WC-10/WC-15 Parts List

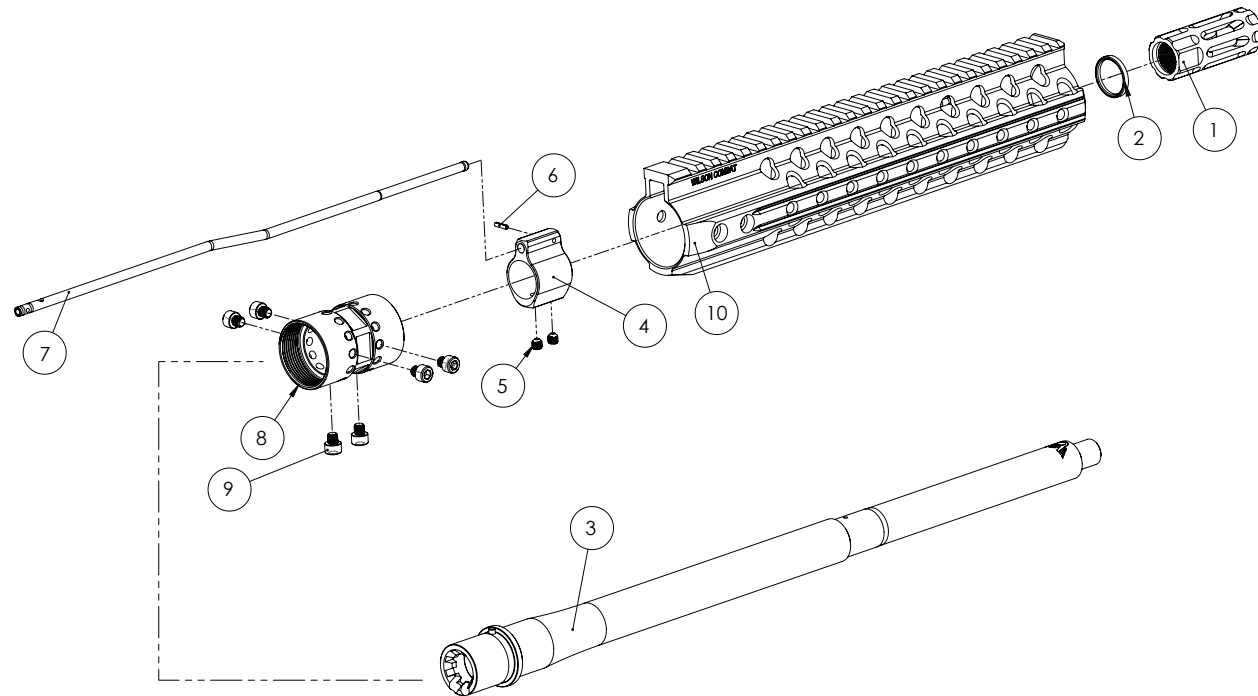
1. WC Q-Comp
2. Crush Washer
3. WC Barrel
4. WC Lo-Profile Gas Block
5. WC Lo-Profile Gas Block Set Screw (x2)
6. Gas Tube Cross Pin
7. Gas Tube
8. Barrel Nut
9. Socket Head Cap Screw (x6)
10. WC Handguard
11. Forward Assist Button
12. Forward Assist Compression Springs
13. Forward Assist Reset Spring
14. Forward Assist Pawl

*WC = Wilson Combat
*BCG = Bolt Carrier Group Assembly
*HA = Handguard Assembly

15. Ejection Port Cover
16. WC Upper Receiver
17. Ejection Port Cover Spring
18. Ejection Port Cover Pin
19. Charging Handle Assembly
20. BCG Firing Pin
21. BCG Carrier
22. BCG Gas Ring
23. BCG Bolt
24. BCG Firing Pin Retaining Pin
25. BCG Gas Key
26. BCG Gas Key Screw (x2)
27. BCG Bolt Cam Pin
28. BCG Extractor Pin
29. BCG Ejector Pin
30. BCG Extractor
31. BCG Extractor O-Ring
32. BCG Outer Extractor Spring
33. Inner Extractor Spring
34. BCG Ejector Spring
35. Ejector
36. WC Lower Receiver
37. WC Takedown Pin
38. WC Hammer/Trigger Pin (x2)
39. WC Magazine Catch Spring
40. WC Magazine Release Button
41. WC Pivot Pin
42. WC Pivot/Takedown Pin Detent Spring (x2)
43. WC Pivot/Takedown Pin Detent (x2)
44. TTU Trigger Assembly
45. WC Billet Bolt Catch
46. WC Bolt Catch - Detent
47. WC Bolt Catch - Detent Spring
48. WC Buffer Retainer Spring
49. Buffer Retainer
50. WC Magazine Catch
51. WC Safety Selector
52. WC Bolt Catch Screw
53. WC Safety Selector Detent
54. WC Safety Selector Detent Spring
55. WC Gunfighter Grip
56. WC Gunfighter Grip - Screw
57. WC Gunfighter Grip - Plug
58. Buffer
59. WC Recoil Spring
60. WC Standard Backing Plate
61. Castle Nut
62. Receiver Extension
63. Buttstock Assembly
64. Lancer L5/L7 AWM Magazine Body
65. Lancer L5/L7 AWM Magazine Follower
66. Lancer L5/L7 AWM Magazine Spring
67. Lancer L5/L7 AWM Magazine Base Pad Lock
68. Lancer L5/L7 AWM Magazine Base Pad

Barrel Assembly

1. WC Q-Comp
2. Crush Washer
3. WC Barrel
4. WC Lo-Profile Gas Block
5. WC Lo-Profile Gas Block Set Screw (x2)
6. Gas Tube Cross Pin
7. Gas Tube
8. Barrel Nut
9. Socket Head Cap Screw (x6)
10. WC Handguard

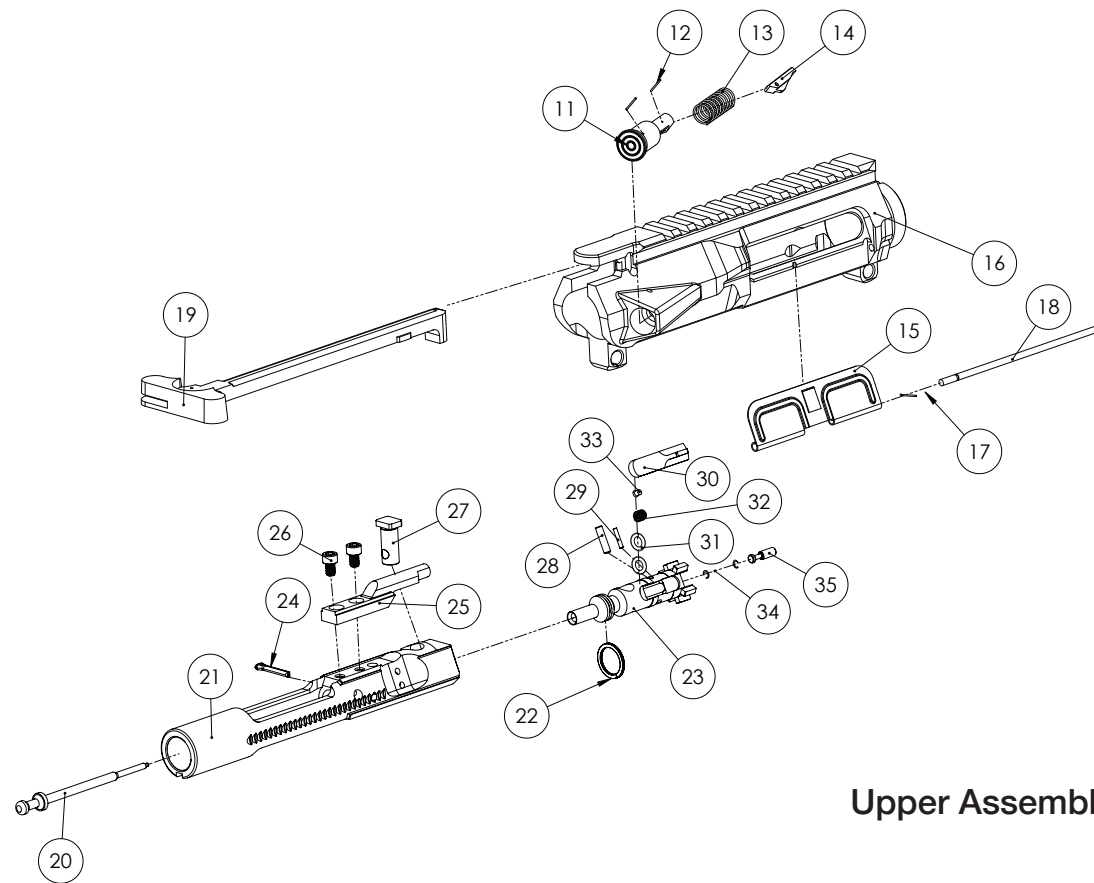


Barrel Assembly

Upper Assembly

- | | |
|---|----------------------------------|
| 11. Forward Assist Button* | 23. BCG Bolt |
| 12. Forward Assist Compression Springs* | 24. BCG Firing Pin Retaining Pin |
| 13. Forward Assist Reset Spring* | 25. BCG Gas Key |
| 14. Forward Assist Pawl* | 26. BCG Gas Key Screw (x2) |
| 15. Ejection Port Cover | 27. BCG Bolt Cam Pin |
| 16. WC Upper Receiver | 28. BCG Extractor Pin |
| 17. Ejection Port Cover Spring | 29. BCG Ejector Pin |
| 18. Ejection Port Cover Pin | 30. BCG Extractor |
| 19. Charging Handle Assembly | 31. BCG Extractor O-Ring |
| 20. BCG Firing Pin | 32. BCG Outer Extractor Spring |
| 21. BCG Carrier | 33. Inner Extractor Spring |
| 22. BCG Gas Ring | 34. BCG Ejector Spring |
| | 35. Ejector |

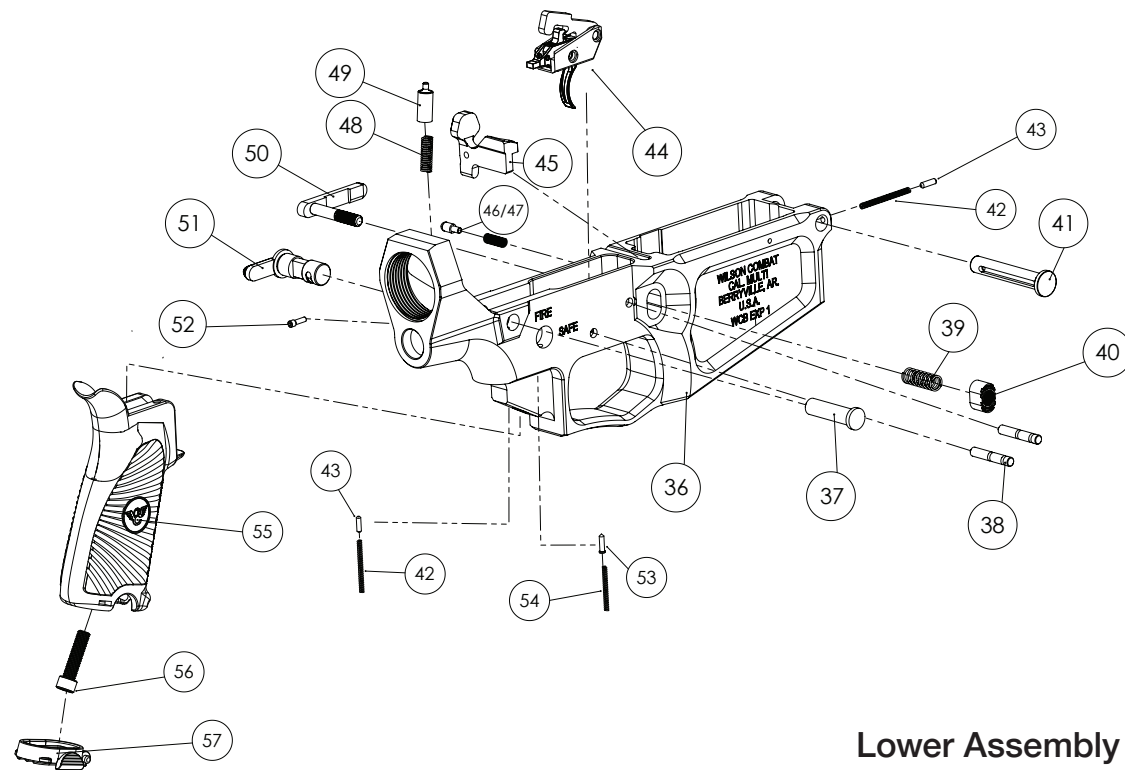
*Optional Forward Assist



Upper Assembly

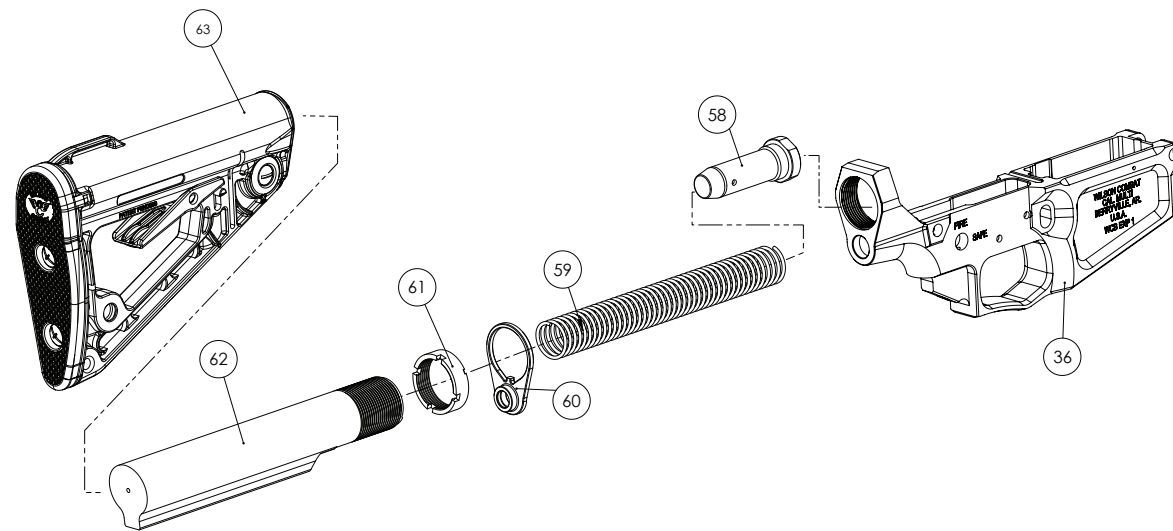
Lower Assembly

- | | |
|---|---|
| 36. WC Lower Receiver | 47. WC Bolt Catch - Detent Spring |
| 37. WC Takedown Pin | 48. WC Buffer Retainer Spring |
| 38. WC Hammer/Trigger Pin (x2) | 49. Buffer Retainer |
| 39. WC Magazine Catch Spring | 50. WC Magazine Catch |
| 40. WC Magazine Release Button | 51. WC Safety Selector |
| 41. WC Pivot Pin | 52. WC Bolt Catch Screw |
| 42. WC Pivot/Takedown Pin
Detent Spring (x2) | 53. WC Safety Selector Detent |
| 43. WC Pivot/Takedown Pin
Detent (x2) | 54. WC Safety Selector Detent
Spring |
| 44. TTU Trigger Assembly | 55. WC Gunfighter Grip |
| 45. WC Billet Bolt Catch | 56. WC Gunfighter Grip - Screw |
| 46. WC Bolt Catch - Detent | 57. WC Gunfighter Grip - Plug |



Lower Assembly

Stock Assembly

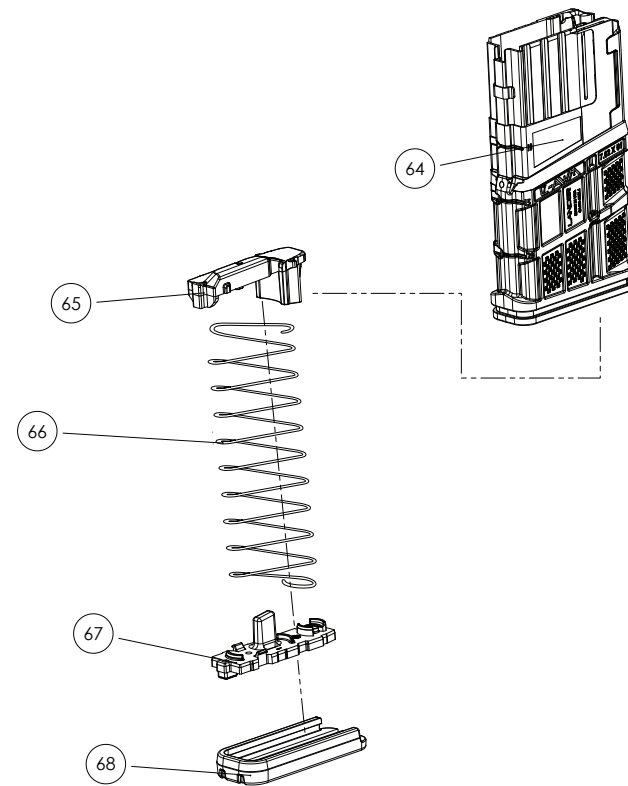


- 36. WC Lower Receiver
- 58. Buffer
- 59. WC Recoil Spring
- 60. WC Standard Backing Plate
- 61. Castle Nut
- 62. Receiver Extension
- 63. Buttstock Assembly

Stock Assembly

Magazine Assembly

- 64. Lancer L5/L7 AWM Magazine Body
- 65. Lancer L5/L7 AWM Magazine Follower
- 66. Lancer L5/L7 AWM Magazine Spring
- 67. Lancer L5/L7 AWM Magazine Base Pad Lock
- 68. Lancer L5/L7 AWM Magazine Base Pad

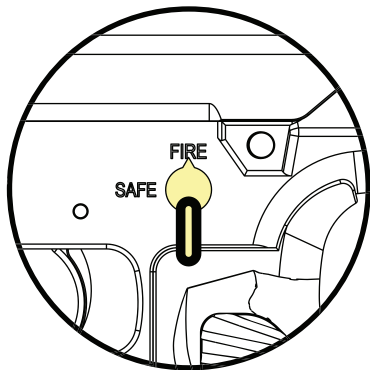
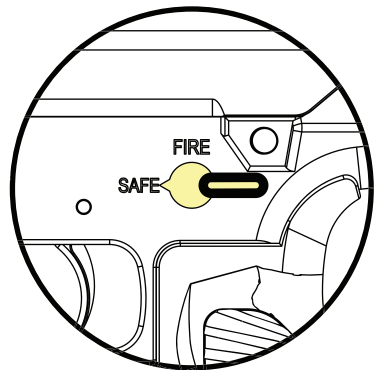


Magazine Assembly

Operation Controls

Safety

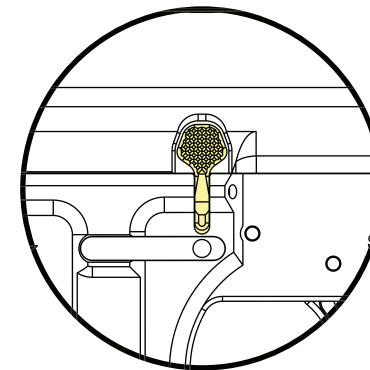
The rifle is equipped with a manual thumb operated safety that is located on the left side of the lower receiver. When the safety is in the “safe” position, the trigger action is blocked and the rifle will not fire. To fire the rifle, flip the safety lever down and forward to the “fire” position.



Operation Controls

Bolt Stop

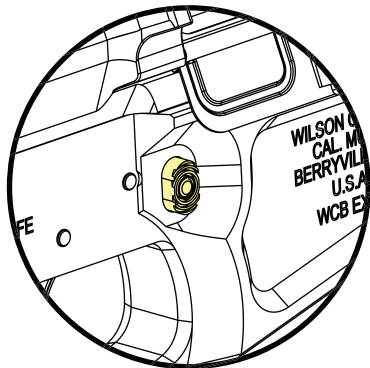
The rifle is equipped with a bolt stop which locks the bolt to the rear after the last shot in the magazine has been fired. The bolt stop can be engaged in three ways. #1 by firing the last shot in the magazine; #2 by manually retracting the bolt with an empty magazine in the weapon; #3 by manually retracting the bolt and pushing the bottom of the bolt stop. The bolt stop is released (which allows the bolt to close) by depressing the serrated pad at the top of the bolt release.



Operation Controls

Magazine Catch

The rifle is equipped with a magazine catch which locks into place or releases the rifle's box magazine feeding device. To lock a magazine into the lower receiver, simply insert a magazine into the magazine well of the lower receiver. To release a magazine from the rifle, depress the magazine release with your index finger.



Operation Controls

Ejection Port Cover

The rifle is equipped with an ejection port cover to keep dirt and debris out of the action when the rifle is not being fired. The ejection port cover can be closed with the bolt in either the open or closed position, and will automatically snap open when the bolt is either opened or closed.

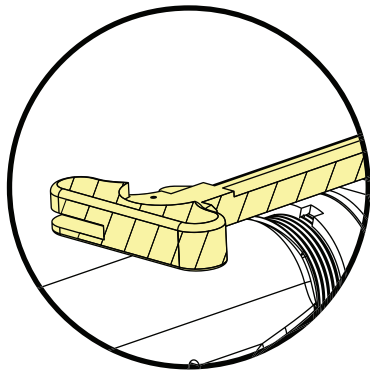
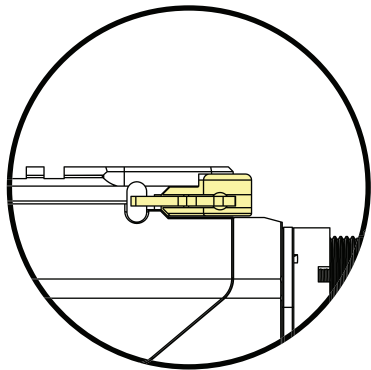
Collapsible Buttstock

The rifle may be fitted with a 6 position collapsible buttstock. To close or retract the stock, depress the lock lever and slide the rear portion of the stock inward or outward. Releasing the lock lever will allow the stock to lock in any of the 6 length positions.

Operation Controls

Charging Handle

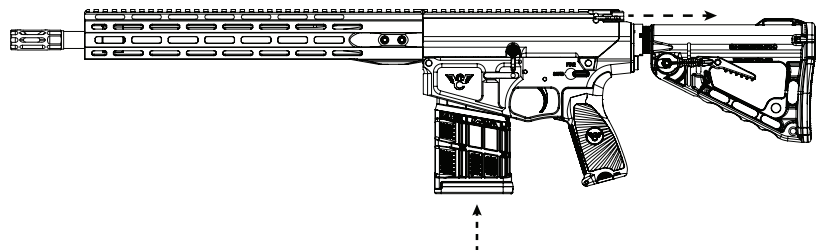
The rifle is equipped with a charging handle to retract the bolt carrier assembly, as well as to load and unload the rifle. To retract the bolt, depress the charging handle latch on the left front of the charging handle and retract to the rear. To close the bolt, release the charging handle and allow the bolt carrier assembly/charging handle to move forward.



Loading

CAUTION: Make sure the rifle is pointed in a safe direction, your finger is away from the trigger and the thumb safety is in the "safe" position.

The rifle can be loaded with the bolt in either the open or closed position. To load with the bolt open, insert a loaded magazine into the lower receiver and make sure it locks into place by pulling down on it. Release the bolt stop with either your left hand thumb or the open palm of your left hand. To load with the bolt closed, insert a loaded magazine and make sure it is locked into place. Retract the charging handle fully to the rear and release, then pull on the right rear of the charging handle to make sure it is locked.



Firing & Unloading

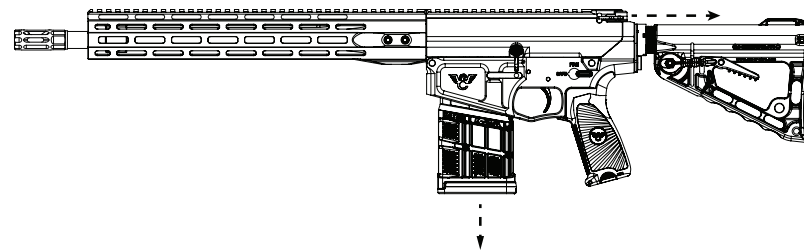
Firing

CAUTION: Make sure the rifle is pointed in a safe direction, your finger is away from the trigger and the thumb safety is in the "safe" position. ALWAYS use eye and ear protection. Shoulder the rifle, align the sights, flip safety to the "fire" position and press the trigger when ready.

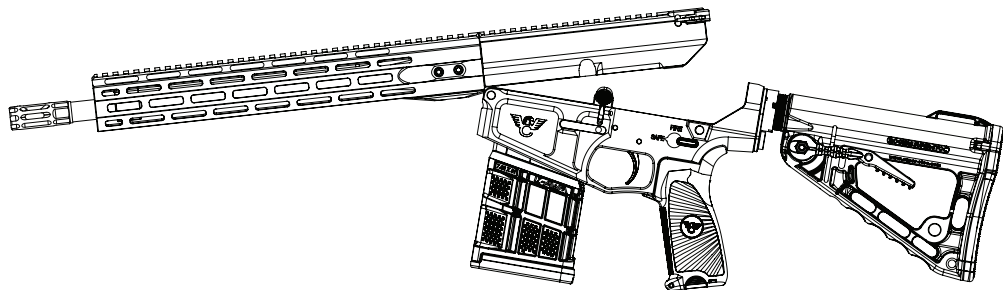
Unloading

CAUTION: Make sure the rifle is pointed in a safe direction, your finger is away from the trigger and the thumb safety is in the "safe" position.

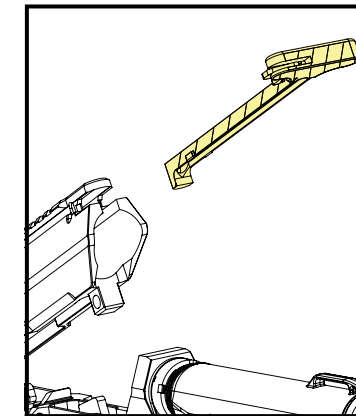
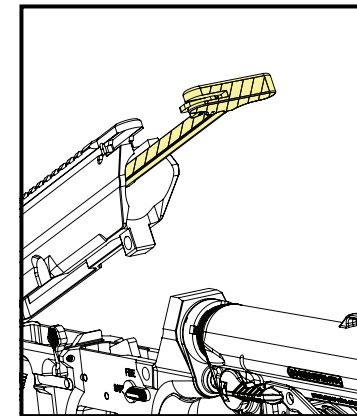
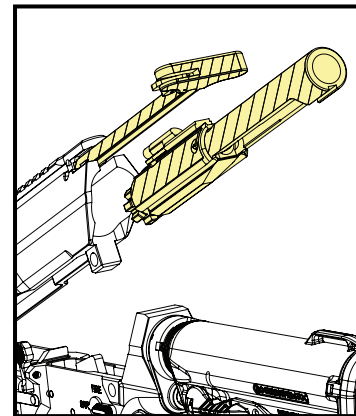
Remove the magazine, retract the charging handle fully to the rear and manually lock the bolt open. Visually inspect the chamber to make sure the rifle is not loaded.



Field Stripping



1. Close the bolt.
2. Push the rear takedown pin from left to right until it stops (the rear takedown pin may fit so tightly in some rifles that a punch and hammer is needed to move it).
3. Pivot the upper and lower receiver apart.



4. Retract the charging handle and bolt carrier assembly about 1/2 way to the rear.
5. Remove the bolt carrier assembly.
6. Retract the charging handle to the rear until it stops, then push it downward and remove from the upper receiver.

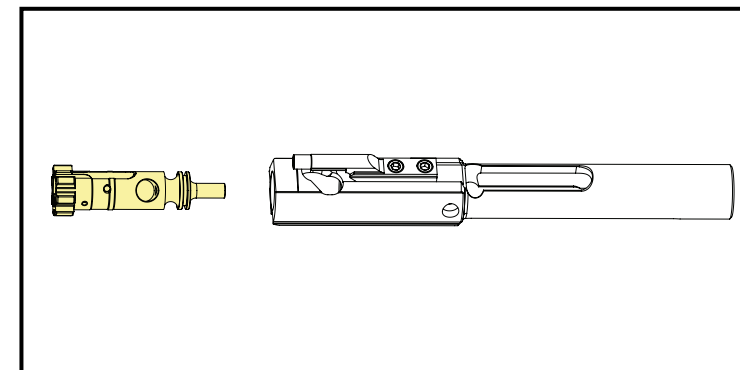
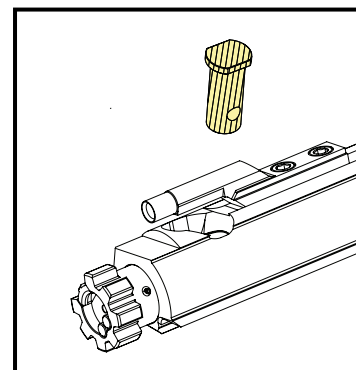
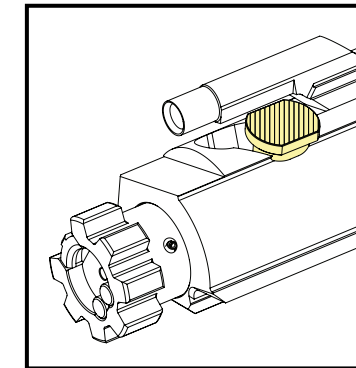
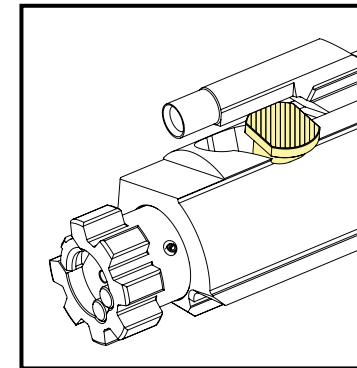
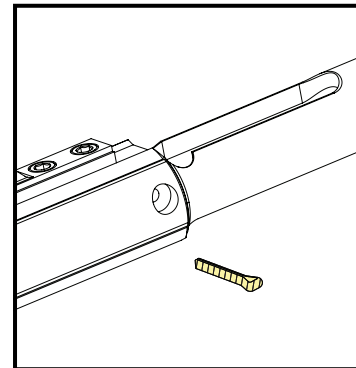
Cleaning

Use Ultima-Lube® II Carbon Cleaner or Ultima-Lube® II Universal Bore Cleaner to saturate and then wipe or brush clean all interior areas of the rifle with powder fouling, corrosion, or dirt.

For a thorough cleaning, you will need to disassemble the bolt carrier assembly.

- 1. Remove the firing pin retaining pin at the left/center of the bolt carrier.**
- 2. Remove the firing pin.**
- 3. Depress the bolt head fully to the rear, turn the cam pin 90° and remove.**
- 4. The bolt head can now be removed by pulling it out of the front of the bolt carrier.**
- 5. Push the extractor pin in on the right side of the bolt and pull extractor pin out on the left side of the bolt, then remove the extractor from the bolt.**

Thoroughly clean exterior surface of all components and the interior of the bolt carrier, upper receiver, chamber and bore with Ultima-Lube® II Carbon Cleaner or Ultima-Lube® II Universal Bore Cleaner. To ensure the removal of all carbon deposits it may be necessary to use a commercially available bolt cleaning tool. Do not use a tool that will mar or deeply scratch your

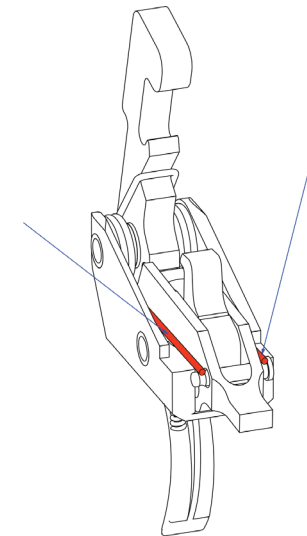


Recommended Bore Cleaning Procedure:

1. Run a tight fitting patch saturated with Wilson Combat® Ultima-Lube® II Bore Cleaner or Ultima-Lube® II Universal Bore Cleaner through the bore.
2. Allow bore to soak for 5 - 15 minutes.
3. Run a bronze bore brush through the bore six times (the use of a bore guide is recommended).
4. Run a tight fitting patch saturated with Wilson Combat® Ultima-Lube® II Bore Cleaner through the bore.
5. Run tight fitting dry patches through the bore until patches come out clean.
If rifle is not going to be put into immediate use, run a patch saturated with Wilson Combat® Ultima-Lube® II Oil through the bore and wipe out with a dry patch.

Tactical Trigger Unit (TTU) Removal Instructions

1. Set rifle to SAFE, remove magazine and visually verify that the chamber is empty.
2. Remove the upper receiver assembly from the lower receiver.
3. Using a punch, drive out the hammer pivot pin from the receiver. Remove hammer.
4. Using a punch, drive out the trigger pivot pin from the receiver. Remove trigger. NOTE: If the trigger assembly cannot be removed set selector to FIRE. If it still cannot be removed, partially unscrew the pistol grip until the safety selector can be removed from the receiver. After the trigger is removed, replace safety selector and tighten pistol grip screw.
5. Set the TTU assembly to its half-cocked position. Ensure that the spring leg is resting on the cross pin as shown in this diagram.



6. Lower TTU into receiver guiding the trigger body to pass through to the trigger guard.

7. Tip the back tail of the trigger down until it rests under the safety selector.

NOTE: Selector should be set on FIRE for this step.

8. From the left side of the receiver (not the ejection side) line up the hammer and hammer pin holes in the receiver and TTU. Place the trigger pin, offset groove first, into trigger pin hole.

9. Place the hammer pin, offset groove first, into the hammer pin hole in the receiver. Push down on the hammer face while pushing the pin until the pin slides in. The edge of a table can be used to force the hammer down.

10. Tap or press pins in until flush with both sides of the receiver. Pins should resist being pressed out. If they press out remove them and go back to step eight.

11. Reassemble the weapon.

TTU Function Test

1. Clear and make the weapon safe (step one above.)

2. With weapon on SAFE, pull charging handle back and release.

3. Pull trigger. Hammer should not fall.

4. Set weapon to FIRE. Pull trigger. Hammer should fall.

5. Hold trigger back and charge the weapon again. Release trigger. An audible click should be heard.

6. Pull trigger. Hammer should fall.

If your rifle fails this function test, check your installation procedure again. If the two bias springs are not installed in the bottom of the housing, the trigger will malfunction.

TTU Cleaning Maintenance

It is important to keep your TTU clean and free from debris. When cleaning your rifle it is easy to clean your TTU at the same time. Brush the TTU clean with a nylon brush and solvent and dry with compressed air. The TTU has a permanent dry-film lubricant applied so do not clean in an ultrasonic cleaner. No lubrication is necessary on the TTU other than a very light coating of rust preventative.

Wilson Combat® Handguard Removal

Normal fieldstripping and maintenance of the rifle does not require removal of the handguard. This information is included for armorers and informational purposes.

Remove the six rail screws.

Slide the handguard off of the barrel nut.

Further disassembly is not required for normal maintenance.

Reinstall the handguard in reverse order. Ensure that the rail is properly aligned with the top of the receiver before tightening the rail screws. Use a small amount of non-permanent thread locker and tighten screws to 65 in-lbs.

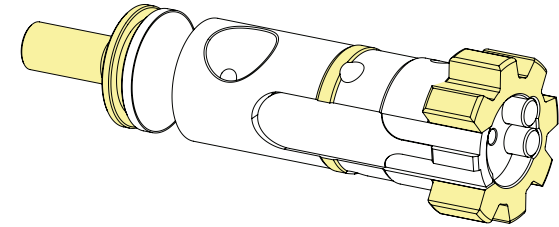
Lubrication Points

Lightly lube the bearing surface of the charging handle.

Recommended lubricant is Wilson Combat® Ultima-Lube® II Universal on all bearing surfaces.

Bolt

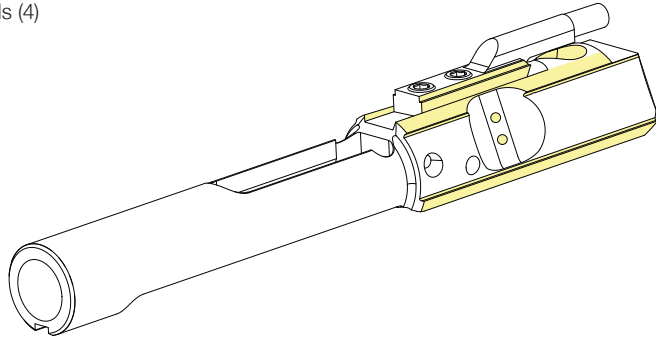
- Gas rings
- Bearing band
- Rear shank
- Rear of locking lugs



Lubrication Points

Bolt Carrier Assembly

- Cam pin
- Carrier contact rails (4)
- Each side of key



Reassembly

Reassemble in reverse order. (See page 40)

Wilson Combat®/SLR Sentry Series Adjustable Gas Block Adjustment (Optional Equipment)

Your rifle's gas block has been adjusted by our gunsmiths for optimal function with our test ammunition. To work properly with ammunition of varying power or with a suppressor you may need to adjust the gas flow to achieve proper ejection.

The adjustment screw in the front of the gas block has 15 usable positions. Turn the adjustment screw clockwise with a 2mm hex driver to close off the gas flow until there is 100% gas cutoff at position 1 to 0. Turn the screw counter clockwise to increase gas flow. Position 5-7 from closed is usually the proper position for most 16" AR's unsuppressed. Depending on the location of your gas block you may need to remove your handguard/rail.

It is recommended whenever the rifle is cleaned to turn the adjustment screw to the fully closed position before any bore cleaners are used. When finished, return the screw to your favored position. This will also break free any carbon build up that may occur.

